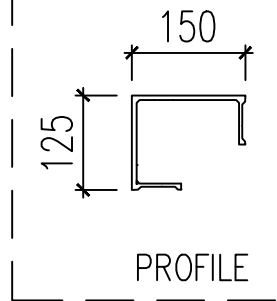
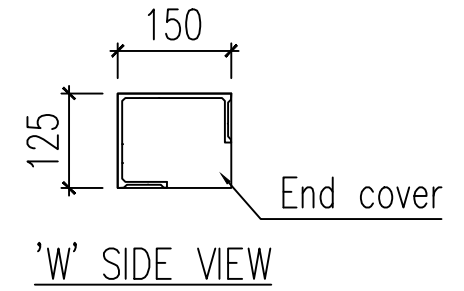
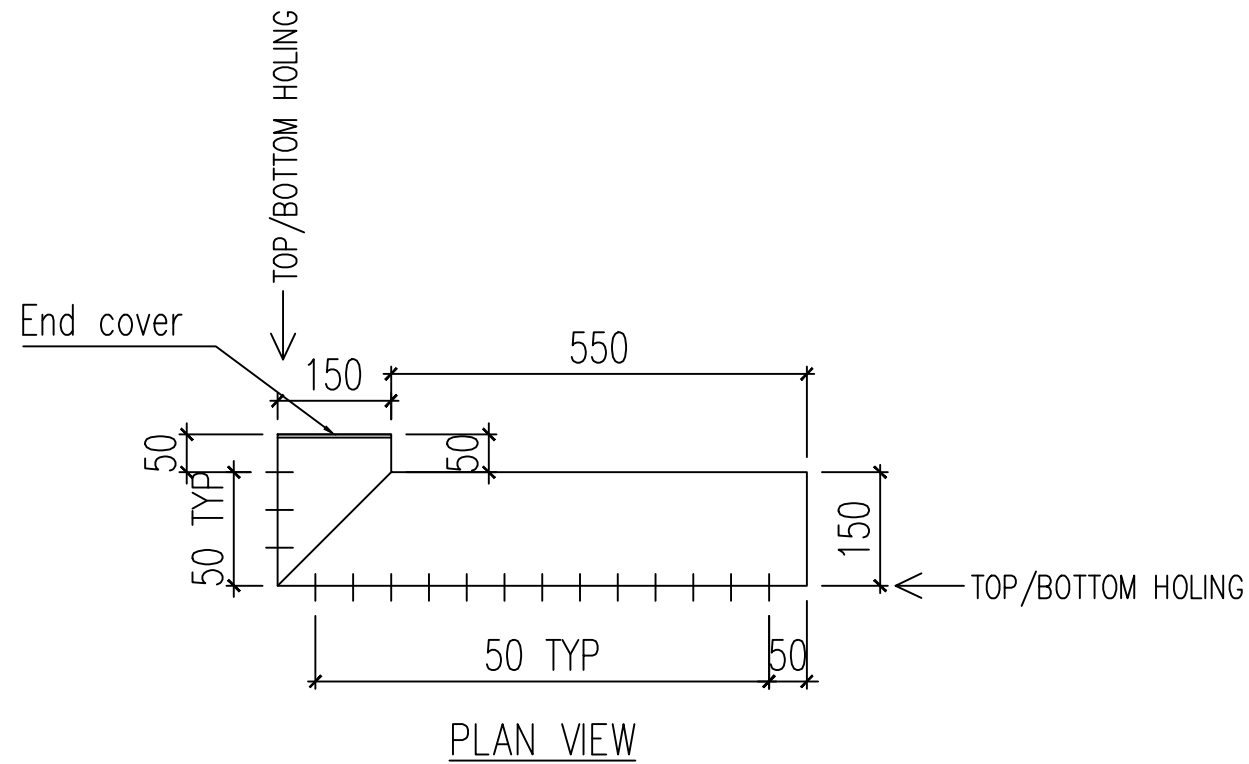
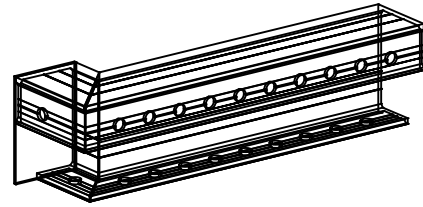
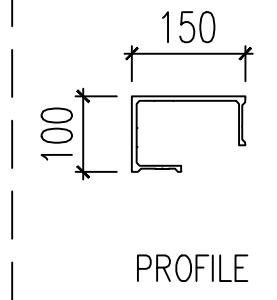
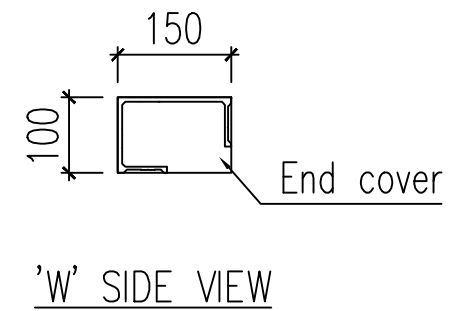
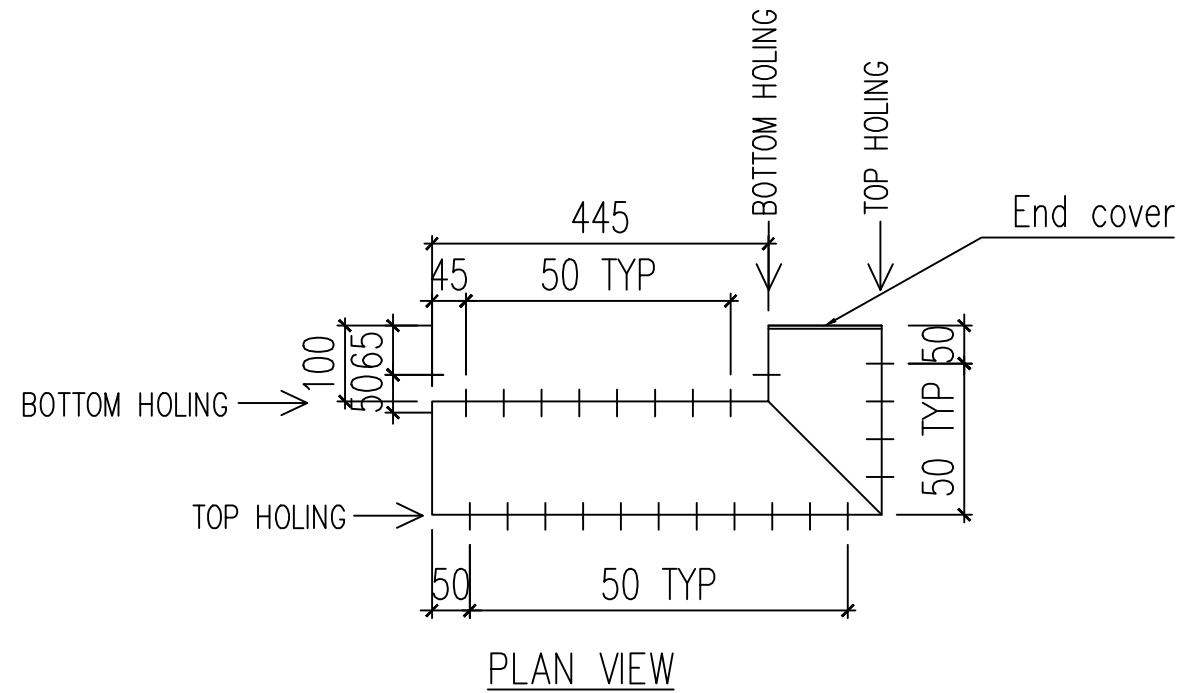
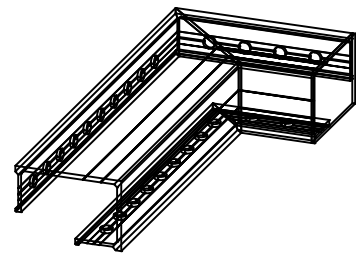


19 J1-SX2



20 J1-SX3



EVERLAS	DRAWING NO :	TP2/T1-MD-J06	Rev.	Date	Name	Description	Reviewed by :	Approved by :
	DRAWN BY :	SEE SP						
	SCALE :	1:10 (A3 PAPER)	Rev.	0				
	DATE :	14.11.2018	Pg.	6	10			