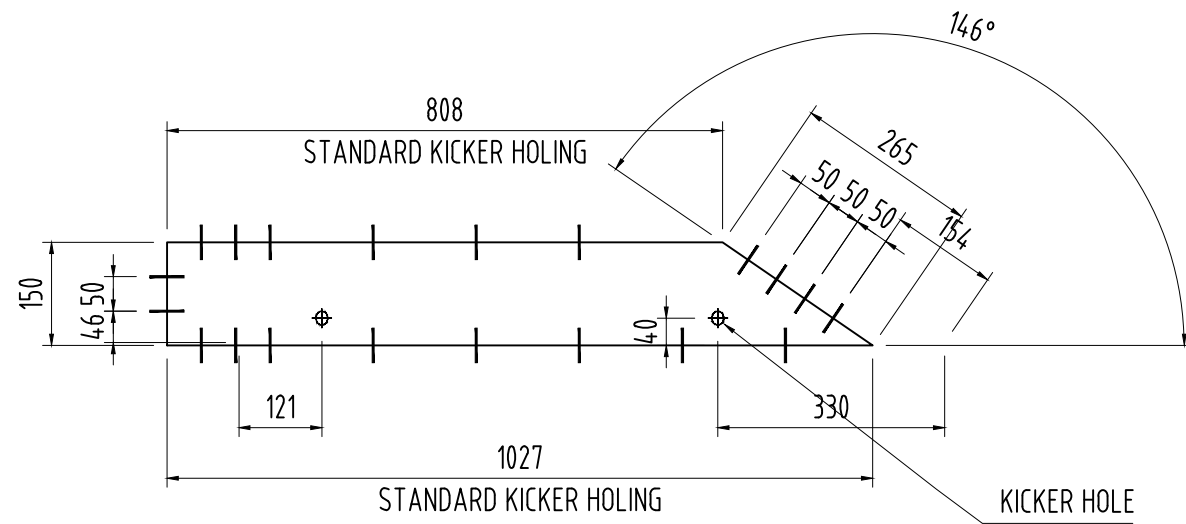
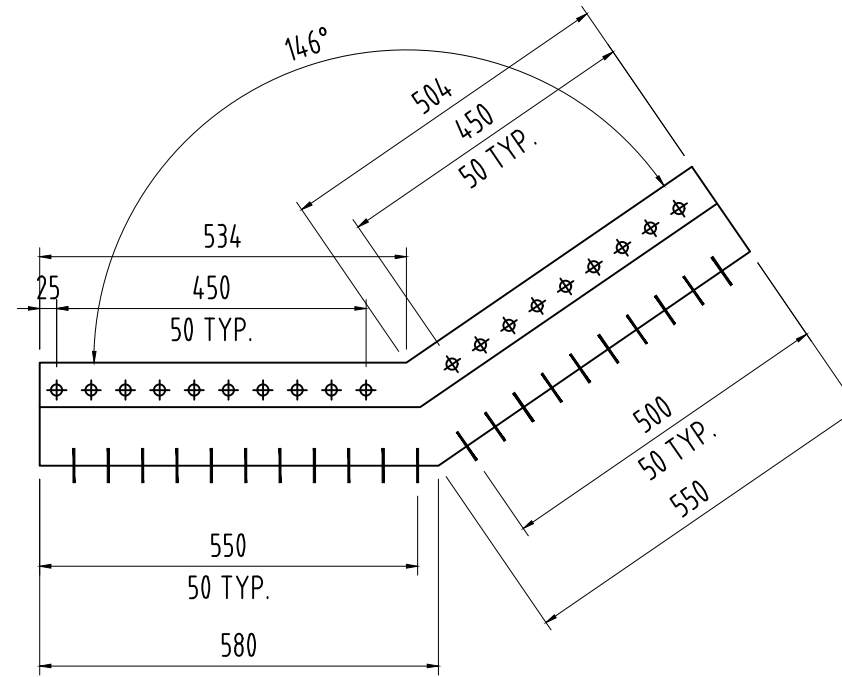


18 ST2-K1 (x2)

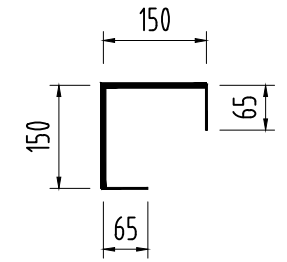


ELEVATION VIEW

19 ST2-SX1a

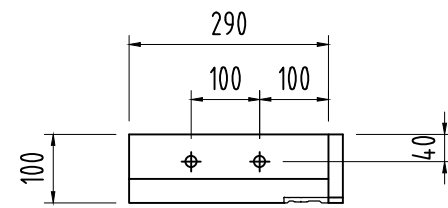


ELEVATION VIEW

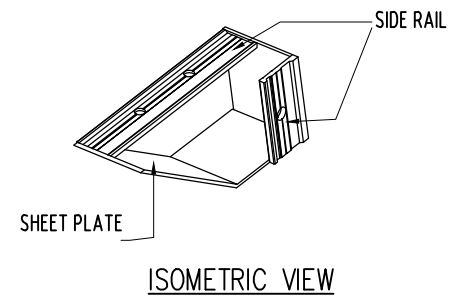


SC PROFILE

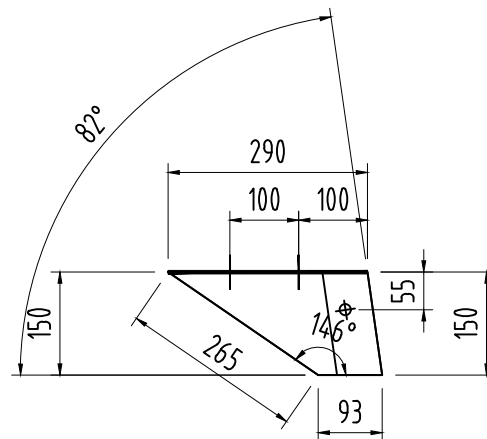
20 ST2-STR3a




TOP VIEW



ISOMETRIC VIEW



ELEVATION VIEW

|  |              |                     |      |      |      |             |               |               |
|--|--------------|---------------------|------|------|------|-------------|---------------|---------------|
|  <b>ALFORM SYSTEM SDN BHD</b><br><small>(1038993H)</small><br>NO. 7, JALAN SELANGOR, 46000,<br>PETALING JAYA, SELANGOR, MALAYSIA<br>TEL: +603-7780 1098 FAX: +603-7780 1099 | DRAWING NO : | FRO-138-TP2-T1-MD10 | Rev. | Date | Name | Description | Reviewed by : | Approved by : |
|  | DRAWN BY :   | ANDREW              |      |      |      |             |               |               |
|  | SCALE :      | 1:11 (A3 PAPER)     | Rev. | 0    |      |             |               |               |
|  | DATE :       | 14.3.2019           | Pg.  | 10   | 17   |             |               |               |