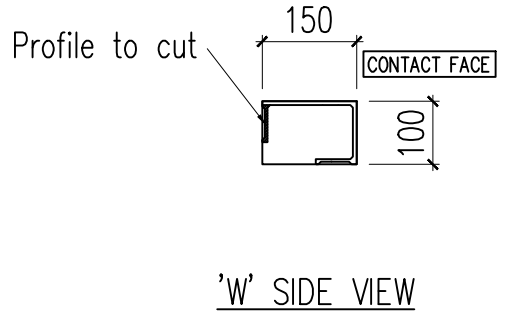
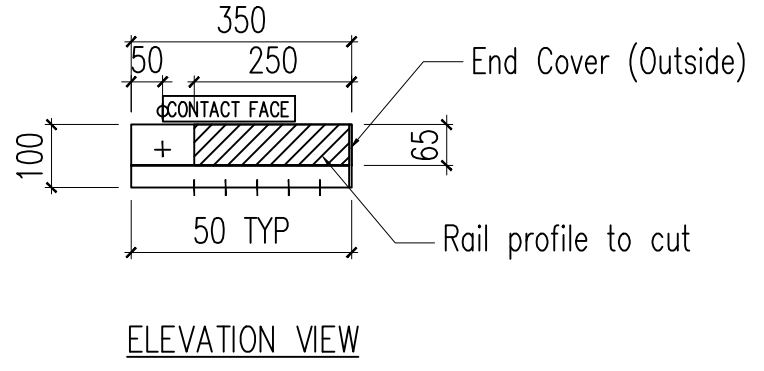
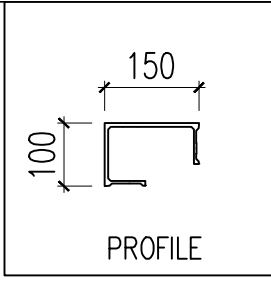
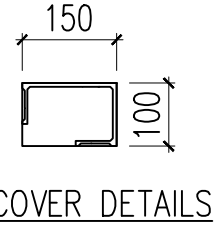
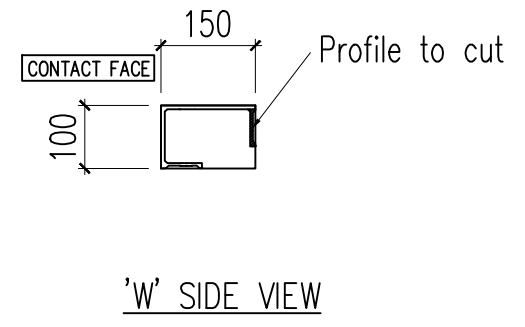
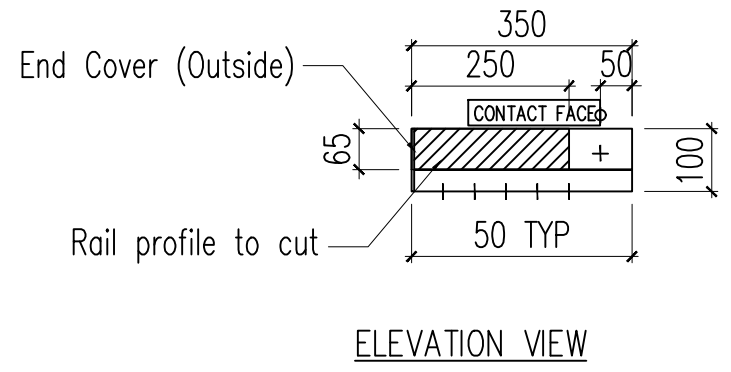
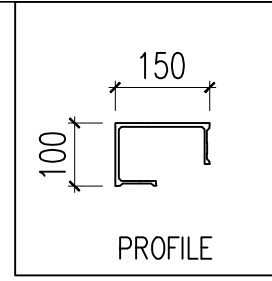
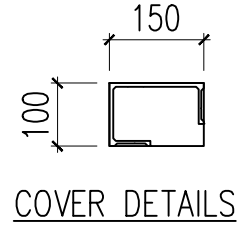


1 H1-SJ1a



2 J1-SJ1a



DRAWING NO :	FRO-132-TP2-T1-MD01	Rev.	Date	Name	Description	Reviewed by :	Approved by :
DRAWN BY :	ANDREW						
SCALE :	1:12 (A3 PAPER)	Rev.	0				
DATE :	6.3.2019	Pg.	1	1			